

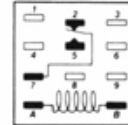
**General Purpose
Square Base
5 Amp/10 Amp**

General Information

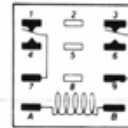
- Inexpensive plug-in design also provides universal arrangement for solder and quick connect terminations. (See ordering information for printed circuit terminals.)
- Polycarbonate dust cover has low moisture absorption and high impact strength.
- Open type, without dust cover, available.
- Polyurethane insulated magnet wire improves heat dissipation.
- Low level, gold diffused silver contacts optional.
- All standard configurations are recognized under the Component Program of U.L. Inc., File E39906. Inclusive of Features 01, 02, 03, 04, 05, 06, 07, 09 and 14. Standard configurations are CSA certified by request only. File LR26861.



30 Series Square Base Relay



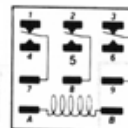
SPDT



DPDT



Open type
Feature 06



3PDT

Specifications

Insulating Material:	Polycarbonate/polyphenylene sulfide
Dust Cover:	Molded clear polycarbonate
Coil Bobbin Material:	Nylon
Coil Winding:	Polyurethane insulated magnet wire
Insulation Resistance:	100 Megohms minimum
Dielectric Strength:	500 Volts R.M.S. 60 Hz between open contacts. 1500 volts R.M.S. 60 Hz between all elements.
Temperature Range:	D.C.: -55° to +85°C (-67° to +185°F) A.C.: -55° to +72°C (-67° to +161°F)
Life Expectancy:	
Mechanical:	In excess of 20 million operations
Electrical:	100,000 minimum at full rated load
Pull-In Speed:	12 milliseconds typical (including bounce)
Drop-out Speed:	10 milliseconds typical (including bounce)
Duty Cycle:	Continuous
Weight:	Approximately 3 oz. (85 Gr.)

**Coil Specifications
A.C. Coils**

Rated Voltage 50/60Hz	1 and 2 Pole		3 Pole		Must Operate Volts Max.
	DC Res. (Ohms) ±10%	Average* Current MA. (60Hz)	DC Res. (Ohms) ±10%	Average* Current MA. (60Hz)	
12	27	183	16.5	250	9.6
24	90	91.7	66	125	19
120	2250	18.3	1680	25	96
240	9100	9.2	6640	12.5	192

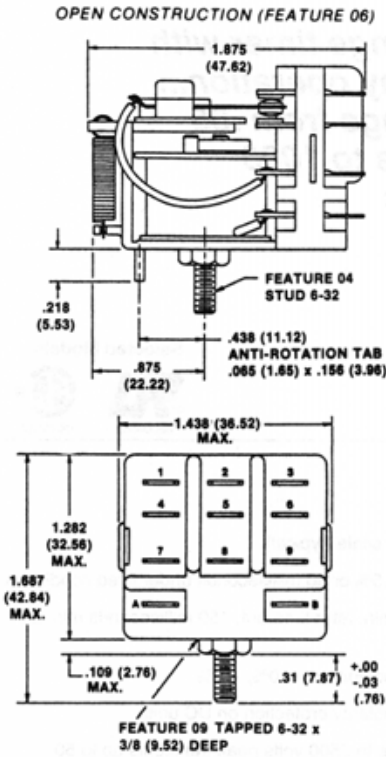
D.C. Coils

Rated Voltage	1 and 2 Pole		3 Pole		Must Operate Volts Max.
	DC Res. ±5%	Average* Current MA.	DC Res. ±5%	Average* Current MA.	
12	120	100	96	125	9
24	480	50	380	62.5	18
48	1920	25	1530	31.3	36
110	10100	10.9	8050	13.6	82

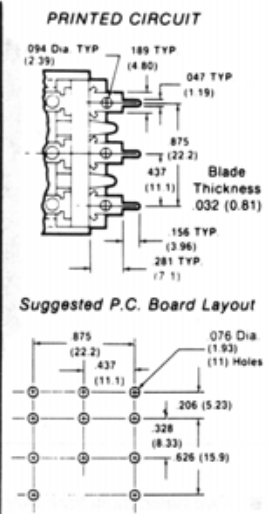
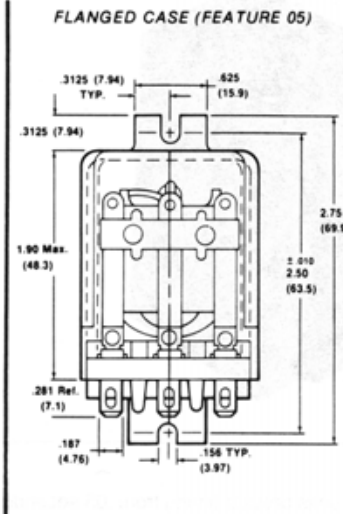
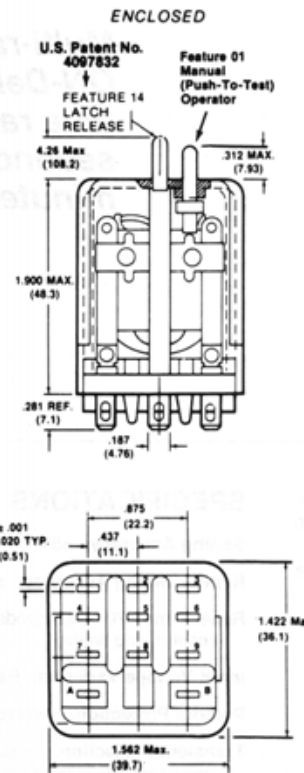
* Average current values do not include indicating light current draw (Feature 02).

Contact Rating

Materials	Rating
Fine Silver Gold Flashed (Ag)	5 Amp, 28 VDC (resistive) 5 Amp, 250 VAC, 125 VA, 125 VAC 1/10 HP, 125 VAC, 240 VA, 250 VAC 1/4 HP, 250 VAC
Silver Cadmium Oxide (AgCdO)	10 Amp, 28 VDC (resistive) 10 Amp, 250 VAC, 125 VA, 120 VAC 1/4 HP, 125 VAC, 240 VA, 250 VAC 1/3 HP, 250 VAC
Fine Silver Gold Diffused (AuAg)	Low level applications (Specify Feature 07)



Anti-rotation tab and stud not available on relays with PC terminals.



Sockets	Retainers
60SR3B05	60SR3B02F1 or 1600-4131 Clip
60SR3B51	
4270-0681	
2014-0020 Mtg. bracket for Open Type	

30 Series Ordering Information

30 E 3C A 120 01

Relay Type
 General Purpose Square Base

Contact Materials	Terminals
D Heat treated, fine silver gold flashed 5 amp	Plug-in Universal for Solder, .187 Quick Connect
E Silver cadmium oxide, 10 amp	Printed Circuit
H Silver cadmium oxide, 10 amp	Special Quote Only

For low level applications, refer to special Feature 07.

Contact Forms
 1C - SPDT (Not available with Feature 14)
 2C - DPDT
 3C - 3PDT (Not available with Feature 14)

Coil Voltage Type
 A - Alternating Current
 D - Direct Current

Features
 (More than one feature may be specified.)

- BLANK - Standard relay
- 01 - Manual (push-to-test) operator
- 02 - Indicating light (except 48 volt)
- 04 - Threaded Stud
- 05 - Flanged case mounting
- †06 - Open construction
- 09 - Tapped core

Rated Voltages

- 012 - 12 Volts (AC or DC)
- 024 - 24 Volts (AC or DC)
- 048 - 48 Volts D.C.
- 110 - 110 Volts D.C.
- 120 - 120 Volts A.C.
- 240 - 240 Volts A.C.

† Relay may be mounted using 2014-0020 Mounting Kit.